



Installation Instructions

POWERMESH GARAGE DOOR CONTROLLER & SENSOR

Important Safety Instructions

A garage door is the largest automated moving object in most homes. Please ensure that all safety recommendations and regulations are considered and adhered to.



This device allows for operation of the garage door when the door or opener is not in direct line of site.

As the door may operate unexpectedly you must ensure that there is no object near the path of the door. When the door is operating people must be kept away until the door has come to a complete stop. Contact with a moving door may result in serious injury, death or damage to property.



It is highly recommended that safety beams are fitted with all installations.

Safety beams must be installed in accordance with AS/NZ 60335-2-95:2012. Correctly installed safety beams will prevent the door from closing if a person or object is located within the door area. In addition, monthly safety reverse tests and regular professional maintenance must be carried out as detailed in your opener's Installation and Operating Manual.

- This product, or any internet device that has the Zimi app installed, is not intended for use by children or persons with reduced physical, sensory or mental capabilities.
- The door sensor has an IP66 (water proof) rating however the controller should not be installed in a wet or damp space exposed to weather.
- Do not attempt to disassemble, repair or modify the product in any way. This will void the product warranty.

In the Box

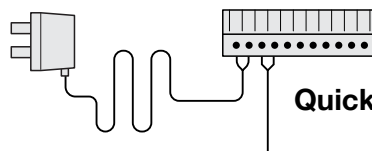
Door Sensor



Garage Controller



Power Plug Pack



Quick Connector

Garage Controller

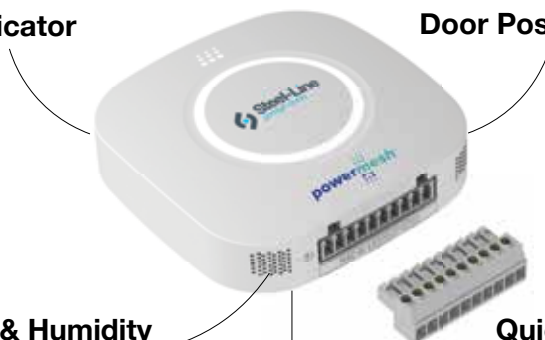
Powermesh Indicator

Door Position Light Ring

Temperature & Humidity Sensor

Reset Button

Quick Connector

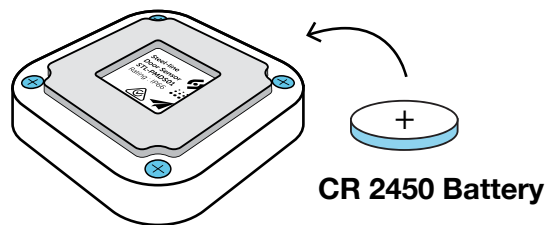


Powermesh Indicator

- BLUE** Device is operational and ready to be set up on a network. Use 'add device' in Zimi to finish setting it up.
- WHITE** Device has been set up on a network and is operational. To set up on a different network, simply RESET the device.
- RED** Device has a critical fault, try updating the firmware. If unsuccessful, the unit will have to be replaced.
- OFF** Please check the unit has power. If the unit is not working, it will need to be returned. If the unit is operational, please check that the indicator hasn't been disabled in 'device settings'.

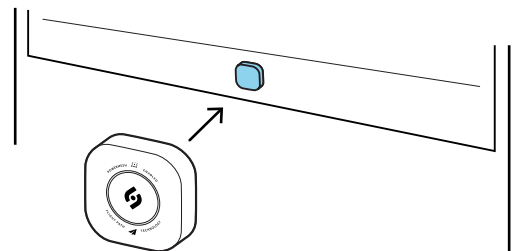
1 Insert the Sensor Battery

- Unscrew the back cover.
- Insert the supplied battery.
- Screw the back cover on.



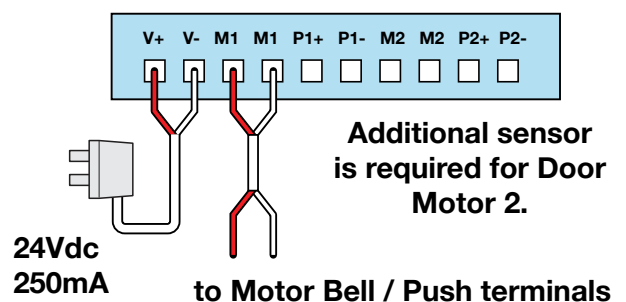
2 Stick the Sensor to the door

- Open the door before proceeding.
- Clean a spot near the INSIDE BOTTOM MIDDLE of the door.
- Peel off the adhesive backing.
- Stick the sensor to the door.



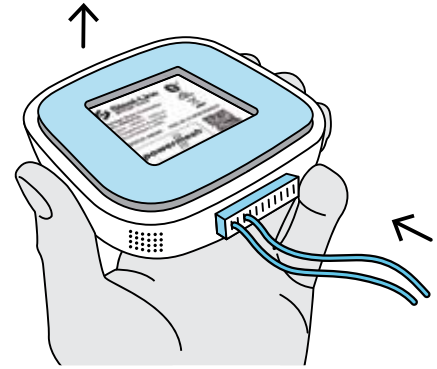
3 Connect the wiring

- Connect the wires to the 'Bell / Push button terminals' on your motor, refer to the motor manual if unsure.
- If using photo eye safety beams, wire them to the P1 terminals.



4 Mount the Controller

- Plug the connector in to the controller.
- Peel off the adhesive backing.
- Firmly press the controller to the ceiling.



5 Pair with Zimi

- Download the Zimi app and log in.
- 'Create a Network' and then 'Add Device'.
- Stand near the controller and Zimi will find it.
- Follow the onscreen instructions to finish setup.

zimi



Quick Download

Point your phone camera at the QR code to open the app store.



6 Have you got a Zimi Cloud Connect?

- Put your Zimi Cloud Connect in a room near your garage, within range of your Wi-Fi router.
- Follow the included setup instructions.



Control your garage door when away from home and use voice control with the Google Assistant.



simply safer